

RECREATIONAL SCULPTURE [Art & Technology]

Bench / Table *PALL~ETT*



Games,
training course
and relaxation



Recommended Age: 5 +
inside the playground area

Recommendation surface:
According to safety norm EN 1176:2008
Impact Absorbing Playground Surfacing
Rubber granules recycled chipboard 25 mm
or 10 cm of sand, or equivalent.

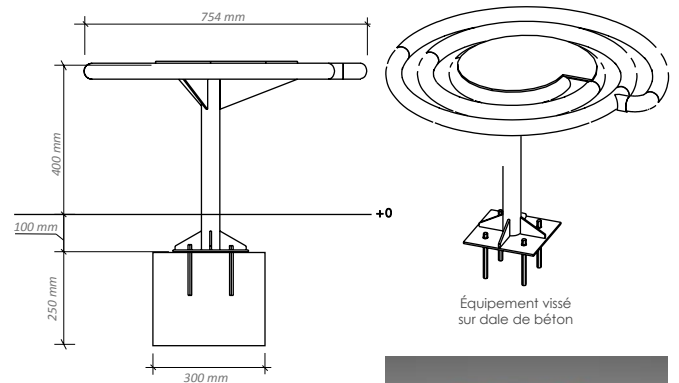
Maximum critical fall height: 442 mm
Maximum height: 442 mm
Safety space: 1 000 mm
Safety space: space between 240-400 mm
in grouped formation, 1 500 mm in outer
space only in the playground area.
Width: 754 mm
Weight: 25 kg
Maximum load: 329 kg
Number of seats: 4

Foundation:
To install on a well-drained ground.
1 concrete foundation
300 x 300 x 250 mm
The recreational sculpture is made, tested
and treated at the factory according to the
European standards ISO 9001, ISO 14001 and
TÜV Rheinland.

Certificate Welding:
Category according to the standards - EN 287

Anticorrosive treatment:
For climatic zones BSK 99 C4

Colour: RAL system
Design: Frédéric Iriarte
© Exclusive rights ARTOTEC AB



For further
information
contact us!

