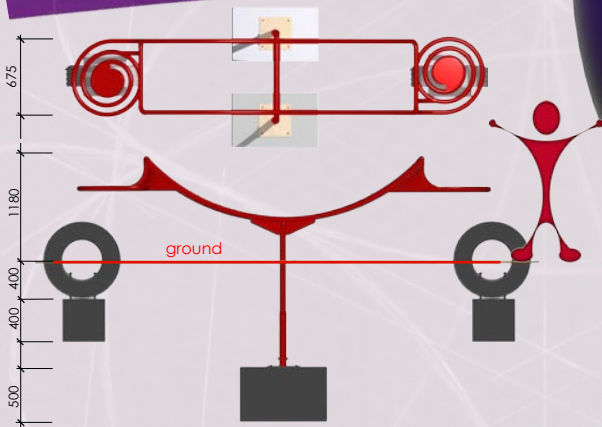


RECREATIONAL SCULPTURE [Art & Technology] Seesaw Zoola

Innovative equipment
for children's playground
for all



Recommendation surface:
According to EN 1176:2008
40 cm sand or equivalent

Maximum Height:
1180 mm max
Axial Balance: 12°
Safety space: 1 000 mm

Foundation:
For installation in
well-drained ground.
2 concrete foundations
500 x 500 x 800 mm

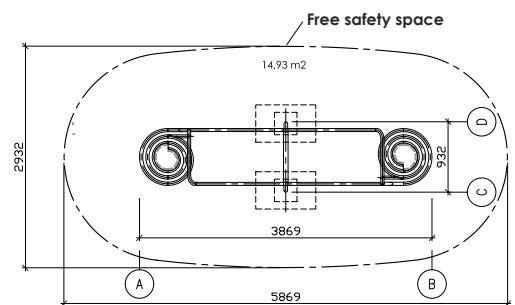
Foundations: 2
Weight: 100 kg
Maximum load: 3 555 kg
Number of children: 8

Recommended Age: 5 +
According to Euro-
pean safety norm EN
1176:2008

Playful sculpture is manu-
factured and processed
at the plant in accord-
ance with European
standards ISO 9001 and
the ISO 14001 standard

Certificate Welding: Class
- in compliance with
- EN 287
Treatment anticorrosive:
BSK 99 C4

Colour: RAL sytem
Design: Frédéric Iriarte
ARTOTEC, 2008-2012



For more
information,
contact us

