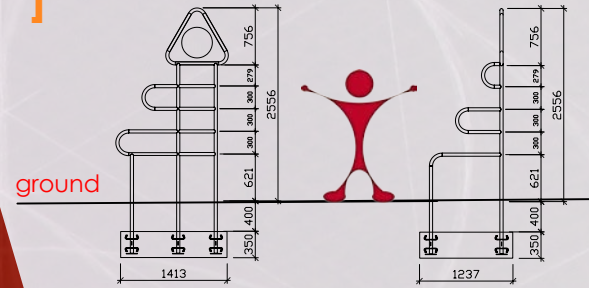




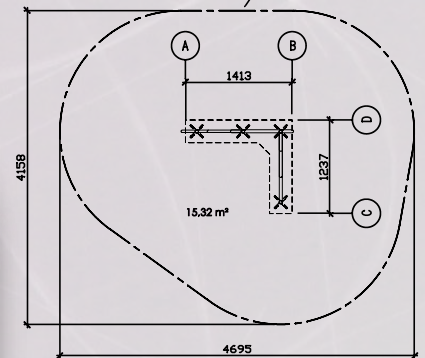
ARTOTEC
International Sculpture • Children's playground • Urban furniture
[ART & TECHNOLOGY]
collection

RECREATIONAL SCULPTURE [Art & Technology] Climber Gong



For more information, contact us

Free safety space



Recommendation surface :

According to EN 1176:2008 40 cm sand or equivalent.

Maximum critical fall height: 1 521 mm

Maximum height: 2 556 mm

Safety space: 1 600 mm

Foundation:

For installation in well-drained ground.

2 concrete foundations

300 x 350 x 1 413 mm

300 x 350 x 1 237 mm

Foundations: 4

Weight: 125 kg

Maximum load: 975 kg

Number of children: 10

Recommended Age: 5 +

According to European safety norm EN 1176:2008

Playful sculpture is manufactured and processed at the plant in accordance with European standards ISO 9001 and the ISO 14001 standard

Certificate Welding: Class - in compliance with - EN 287

Treatment anticorrosive: BSK 99 C4

Colour: RAL system

Design: Frédéric Iriarte
ARTOTEC, 2008-2012

**Accessibility
Play
and
Education**